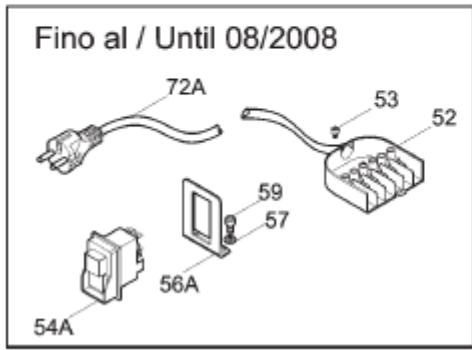
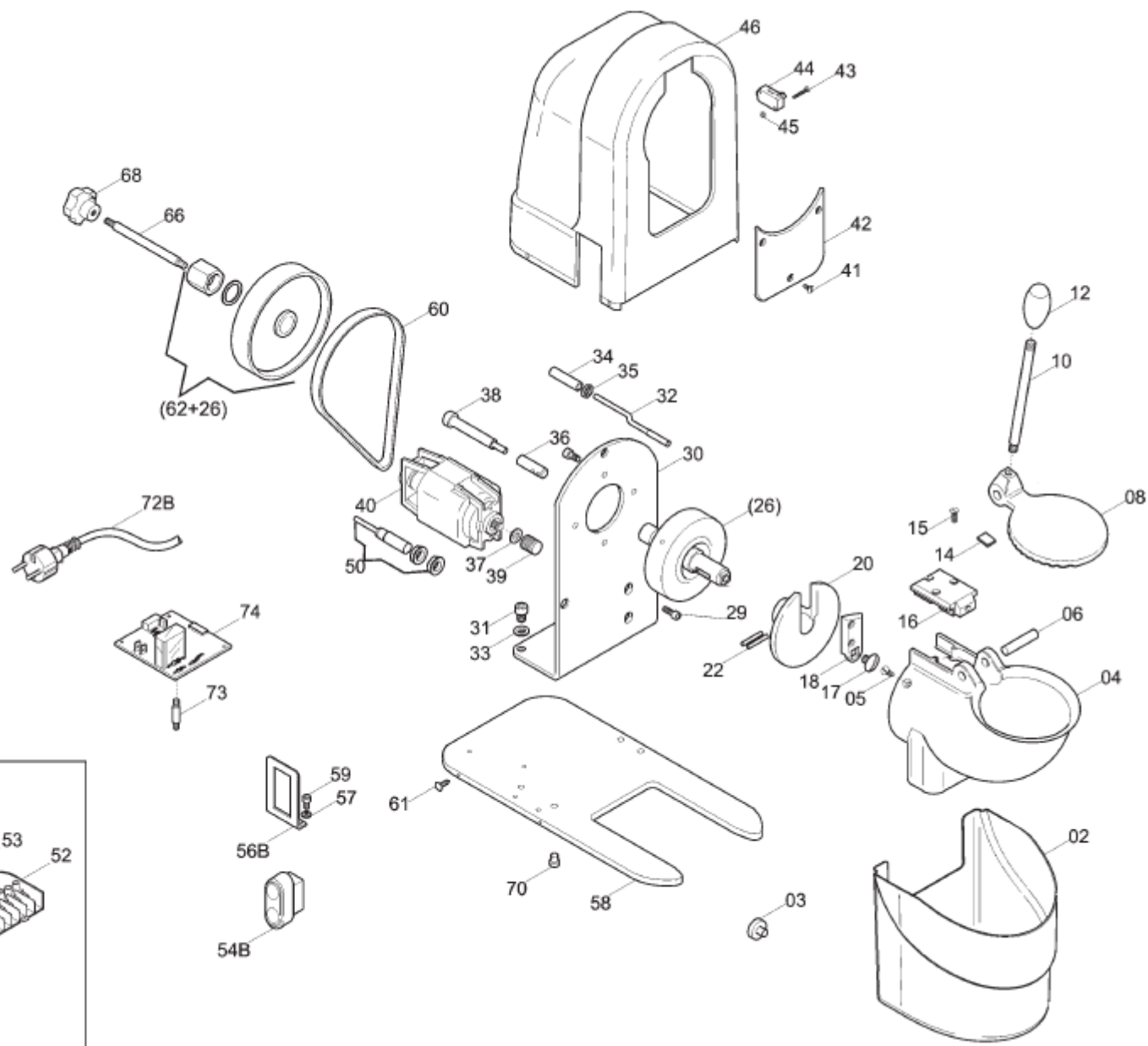


ИЗМЕЛЬЧИТЕЛЬ ЛЬДА АРАСН А1С2



|        |                                     |            |
|--------|-------------------------------------|------------|
| 02B    | WHITE CONTAINER_ICE CRUSHER TRITON  | IB4030710  |
| 02A    | GREY CONTAINER_ICE CRUSHER TRITON   | IB4030712  |
| 3      | MAGNET FOR CONTAINER_ICECRUS.TRITON | IB5823453  |
| 4      | COATED OPENING_ICE CRUSHER TRITON   | IB1273460  |
| 6      | HINGE FOR OPENING COVER_TRITON      | IB2080711  |
| 8      | MOUTH LID FOR TRITON                | IB1280800  |
| 10     | KNOB ROD FOR TRITON                 | IB2080712  |
| 12     | PUSHER KNOB FOR TRITON              | IB4206451  |
| 14     | MAGNET FOR OPENING_ICE CRUSH.TRITON | IB5823452  |
| 16     | MICROSWITCH SUPPORT_ICE CRUS.TRITON | IB4070200  |
| 17     | LEFT FIXING SCREW FOPR BLADE_TRITON | IB7786901  |
| 18     | S/S BLADE FOR TRITON                | IB2680920  |
| 20     | BLADE DISC FOR ICE CRUSHER TRITON   | IB2303009  |
| 22     | S/S PLUG D.4X3,5_ICE CRUSHER TRITON | IB2083010  |
| 30     | MOTOR PLATE FOR ICE CRUSHER TRITON  | IB2486880  |
| 32     | OPENING MICROSWITCH_ICE CRUSH.TRITO | IB5823501  |
| 34     | SUPPORT FOR MICROSWITCH_TRITON      | IB2000700  |
| 35     | NUT                                 | IB2000701  |
| 36     | BUSSOLA OTTONE REG.SPESSOR.TRT      | IB7800001  |
| 37     | MOTOR PULLEY WASHER_ICE CRUSH.TRITN | IB1023019  |
| 38     | SCREW                               | IB7786900  |
| 39     | MOTOR PULLEY FOR ICE CRUSHER TRITON | IB1023018  |
| 40     | MOT.POTENZ.COMPLETO TRT 230V/50HZ   | IB5000801A |
| 42     | COVER FOR ICE CRUSHER TRITON        | IB4020910  |
| 44     | MICROSWITCH FOR TRITON              | IB5820200  |
| 46B    | WHITE FRAME FOR ICE CRUSHER TRITON  | IB4090700  |
| 46A    | GREY FRAME FOR ICE CRUSHER TRITON   | IB4090702  |
| 48     | STRAIN RELIEF PVC DIA 7             | IB5890700  |
| 50     | CONTAINER MICROSWITCH_TRITON        | IB5823500  |
| 52     | FUORI PRODUZIONE-OUT OF PRODUCTION  | 00-OUT     |
| 54B    | ON/OFF SWITCH FOR TRITON            | IB5800108  |
| 54A    | ON/OFF SWITCH 230 V                 | 19410152   |
| 56B    | PLATE ON/OFF SWITCH_ICE CRUSH.TRITN | IB5826061  |
| 56A    | PIASTRINA SUPPORTO INTERR. TRT      | IB5826060  |
| 58     | COATED STAND/BASE_ICE CRUSHER TRITN | IB1063020  |
| 60     | BELT FOR TRITON                     | IB7003012  |
| 62+26  | ASSIEME PULEG+DISCO+FLANGIA TG      | IB9865600  |
| 66     | BLADE ADJUSTING ROD FOR TRITON      | IB2423420  |
| 68     | BLADE ADJUSTING KNOB FOR TRITON     | IB4206441  |
| 70     | FOOT FOR ICE CRUSHER TRITON         | IB4306401  |
| 72B CN | CAVO ALIM.CINA+PASSACAVO            | IB5503015P |
| 72B    | CAVO ALIMENTAZ.SHUKO+PASSAC.TRT     | IB5504004  |
| 72A    | SHUKO CORD                          | IB5503000  |
| 73     | DISTANCE PIECE_ICE CRUSHER TRITON   | IB4030721  |
| 74     | CIRCUIT BOARD 230 V FOR TRITON      | IB5940930  |
| 74-UK  | PCB TRITON UK 2-CONDENS.W/MEMORY    | IB5940932  |